

J/SST108 SERIES

LOW NOISE SINGLE N-CANNEL JFET SWITCH

FEATURES

Direct Replacement for Siliconix J/SST: 108, 109, 110, & 110A

LOW ON RESISTANCE $r_{DS(on)} \leq 8\Omega$

FAST SWITCHING $t_{ON} \leq 4ns$

ABSOLUTE MAXIMUM RATINGS¹

@ 25 °C (unless otherwise stated)

Maximum Temperatures

Storage Temperature -55 to 150°C

Junction Operating Temperature -55 to 150°C

Maximum Power Dissipation

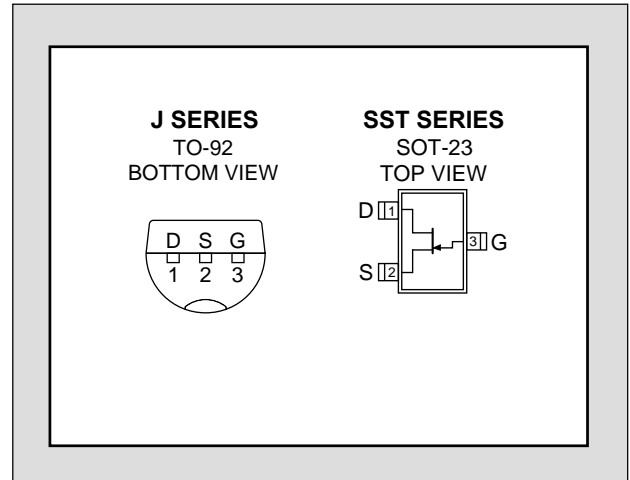
Continuous Power Dissipation 350mW

Maximum Currents

Gate Current 50mA

Maximum Voltages

Gate to Drain or Source -25V



STATIC ELECTRICAL CHARACTERISTICS @25 °C (unless otherwise stated)

SYM.	CHARACTERISTIC	TYP	J/SST108		J/SST109		J/SST110		UNIT	CONDITIONS
			MIN	MAX	MIN	MAX	MIN	MAX		
BV _{GSS}	Gate to Source Breakdown Voltage		-25		-25		-25		V	I _G = -1μA, V _{DS} = 0V
V _{GS(off)}	Gate to Source Cutoff Voltage		-3	-10	-2	-6	-0.5	-4		V _{DS} = 5V, I _D = 1μA
V _{GS(F)}	Gate to Source Forward Voltage	0.7								I _G = 1mA, V _{DS} = 0V
I _{DSS}	Drain to Source Saturation Current ²		80		40		10		mA	V _{DS} = 15V, V _{GS} = 0V
I _{GSS}	Gate Leakage Current	-0.01		-3		-3		-3	nA	V _{GS} = -15V, V _{DS} = 0V
I _G	Gate Operating Current	-0.01								V _{DG} = 10V, I _D = 10mA
I _{D(off)}	Drain Cutoff Current	0.02		3		3		3		V _{DS} = 5V, V _{GS} = -10V
r _{DS(on)}	Drain to Source On Resistance	108, 109, 110		8		12		18	Ω	V _{GS} = 0V, V _{DS} ≤ 0.1V
		110A					25			

DYNAMIC ELECTRICAL CHARACTERISTICS @25 °C (unless otherwise stated)

SYM.	CHARACTERISTIC	TYP	J/SST108		J/SST109		J/SST110		UNIT	CONDITIONS
			MIN	MAX	MIN	MAX	MIN	MAX		
g _{fs}	Forward Transconductance	17							mS	V _{DS} = 5V, I _D = 10mA f = 1kHz
g _{os}	Output Conductance	0.6								
r _{ds(on)}	Drain to Source On Resistance			8		12		18	Ω	V _{GS} = 0V, I _D = 0A f = 1kHz
C _{iss}	Input Capacitance	SST	60						pF	V _{DS} = 0V, V _{GS} = 0V f = 1MHz
		J	60	85		85		85		
C _{rss}	Reverse Transfer Capacitance	SST	11							V _{DS} = 0V, V _{GS} = -10V f = 1MHz
		J	11	15		15		15		
e _n	Equivalent Input Noise Voltage	3.5							nV/√Hz	V _{DS} = 5V, I _D = 10mA f = 1kHz

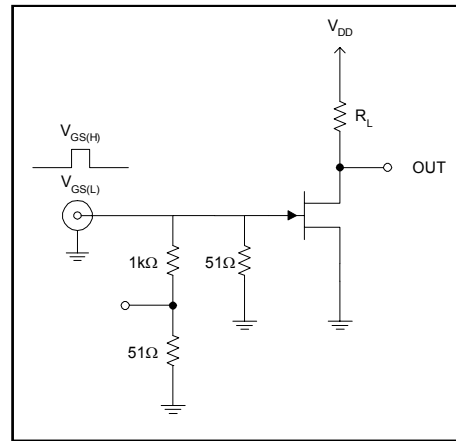
SWITCHING CHARACTERISTICS

SYM.	CHARACTERISTIC	TYP	UNIT	CONDITIONS
$t_{d(on)}$	Turn On Time	3	ns	$V_{DD} = 1.5V$ $V_{GS(H)} = 0V$
t_r		1		
$t_{d(off)}$	Turn Off Time	4		
t_f		18		

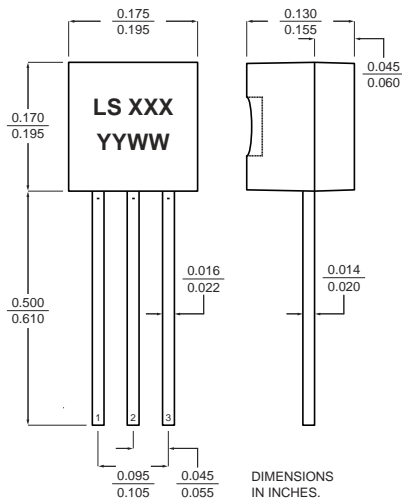
SWITCHING CIRCUIT CHARACTERISTICS

SYM.	J/SST108	J/SST109	J/SST110
$V_{GS(L)}$	-12V	-7V	-5V
R_L	150 Ω	150 Ω	150 Ω
$I_{D(on)}$	10mA	10mA	10mA

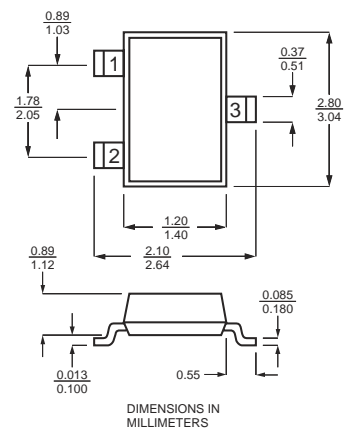
SWITCHING TEST CIRCUIT



TO-92



SOT-23



NOTES

1. Absolute maximum ratings are limiting values above which serviceability may be impaired.
2. Pulse test: $PW \leq 300\mu s$, Duty Cycle $\leq 3\%$

Information furnished by Linear Integrated Systems is believed to be accurate and reliable. However, no responsibility is assumed for its use; nor for any infringement of patents or other rights of third parties which may result from its use. No license is granted by implication or otherwise under any patent or patent rights of Linear Integrated Systems.